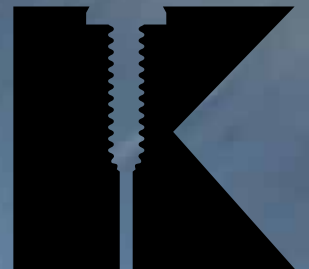
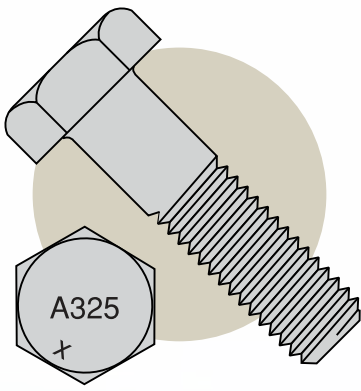


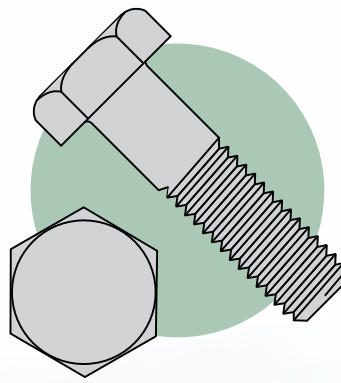
AN ENDLESS SUPPLY OF

GALVANIZED FASTENERS

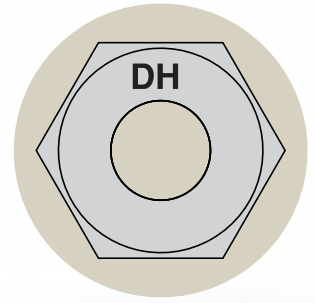




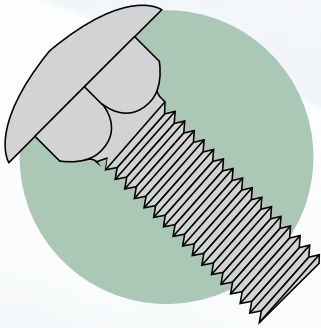
A325 Heavy Hex Structural Bolts



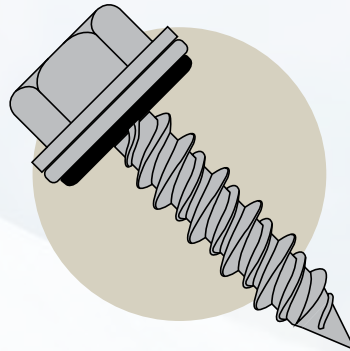
Hex Machine Bolts



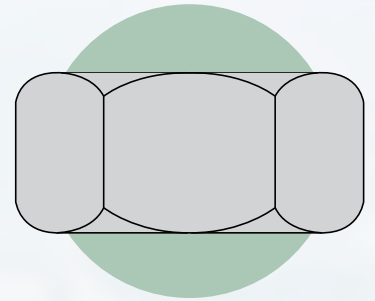
A563 Grade DH Heavy Hex Nuts



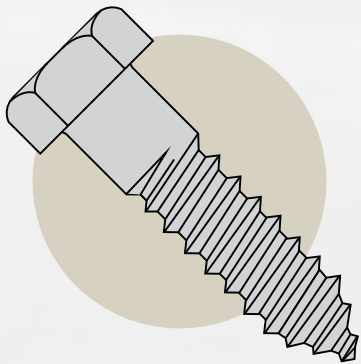
Carriage Bolts



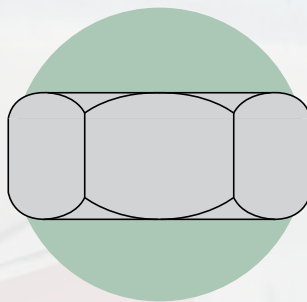
Pole Barn Screws



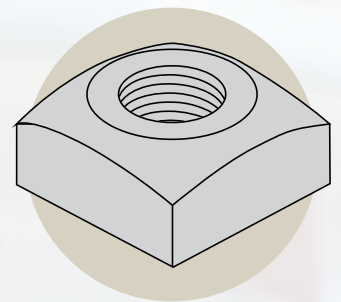
Low Carbon Heavy Hex Nuts



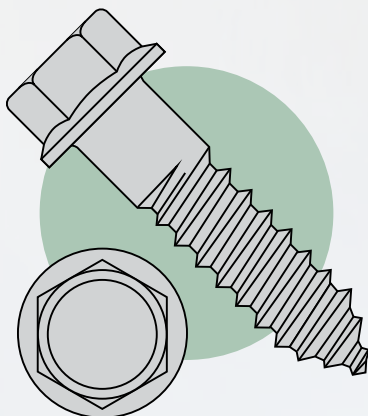
Lag Screws



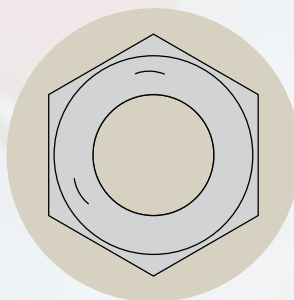
Finished Hex Nuts



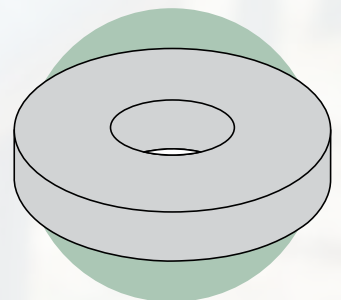
Regular Square Nuts



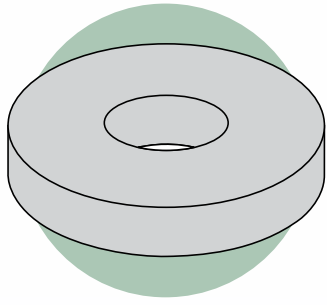
Flange Lag Screws



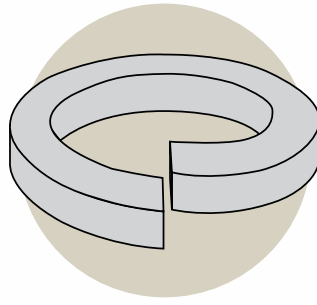
Finished Hex Nuts, Grade 5



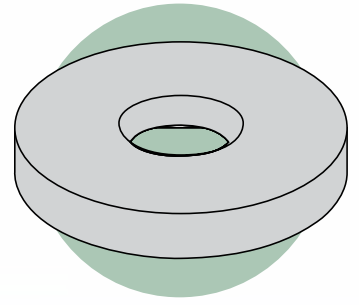
S.A.E. Flat Washers



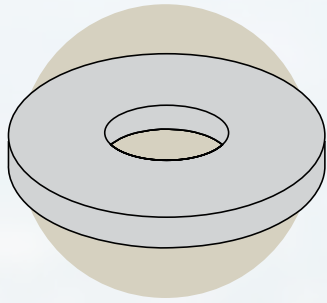
U.S.S. Flat Washers



Regular Split Lockwashers

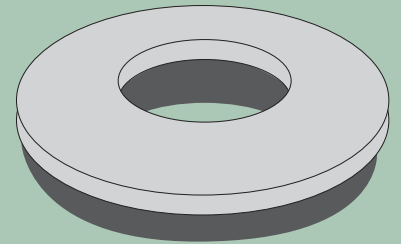


Dock Washers



Fender Washers

.....
**NEW
ADDITION**
.....



Neo-EPDM Sealing Washers

Highly Corrosion-Resistant

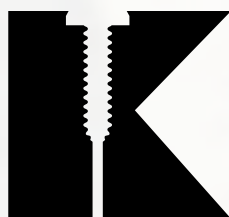
Same-Day Shipping

99% Service Level

Free Certification on all A325 Bolts & A563 Nuts

Custom Labelling Options Available

1 Carton Minimum Order



**KANEBRIDGE
CORPORATION**
New Jersey | Illinois | California



**KANEBRIDGE
CORPORATION**

New Jersey | Illinois | California

T: (800) 222-9221 sales@kanebridge.com

F: (201) 337-2301 www.kanebridge.com